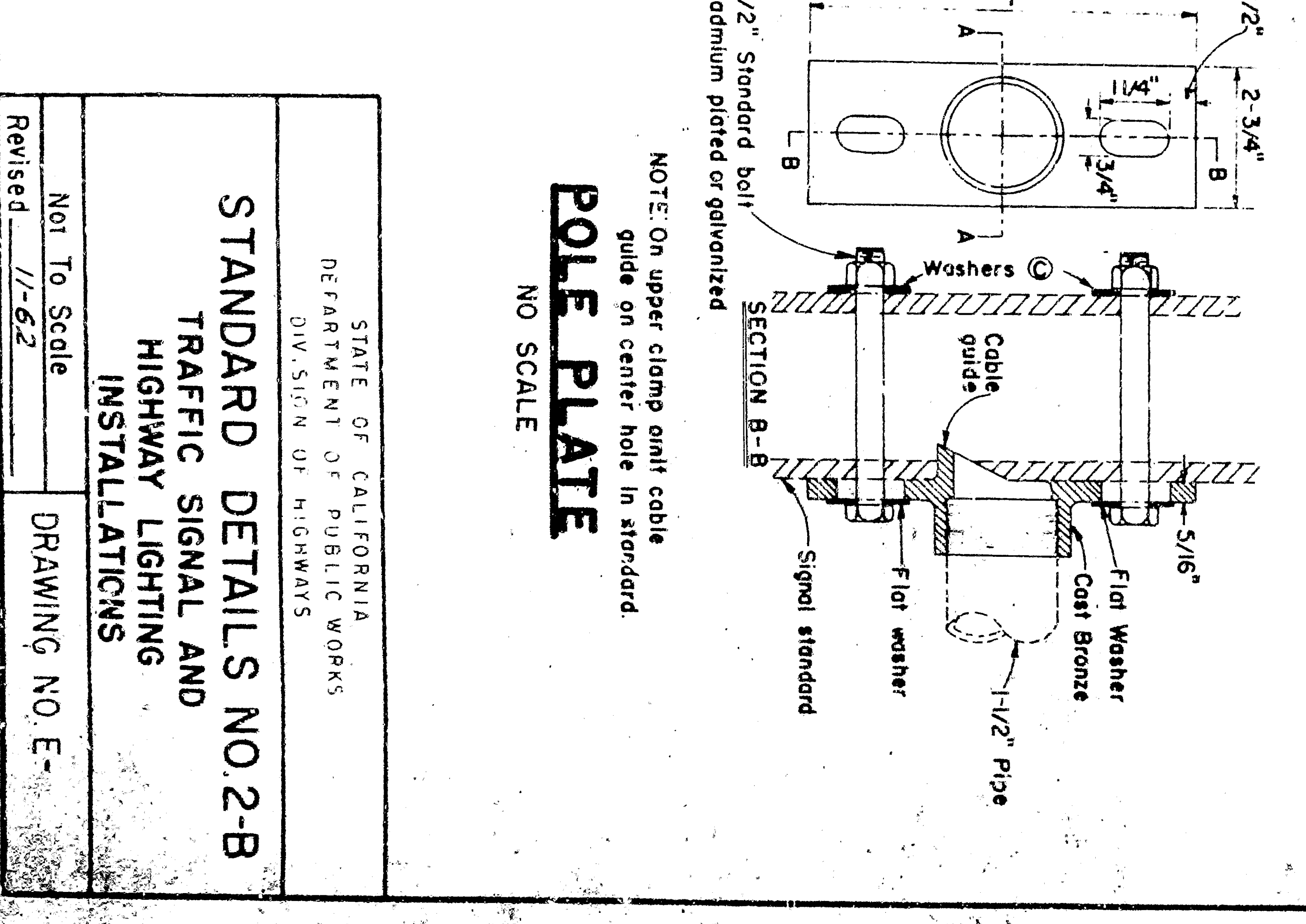
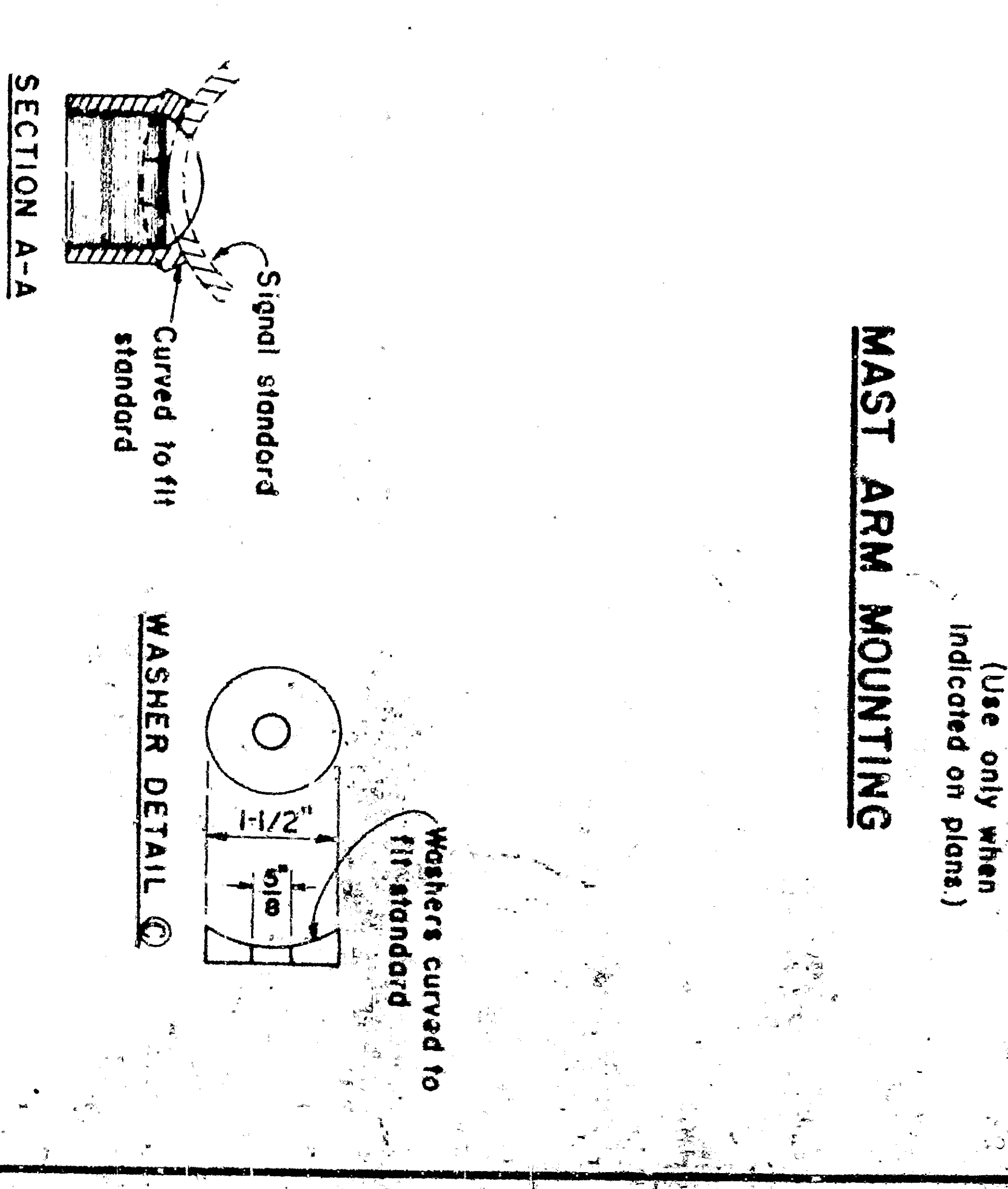
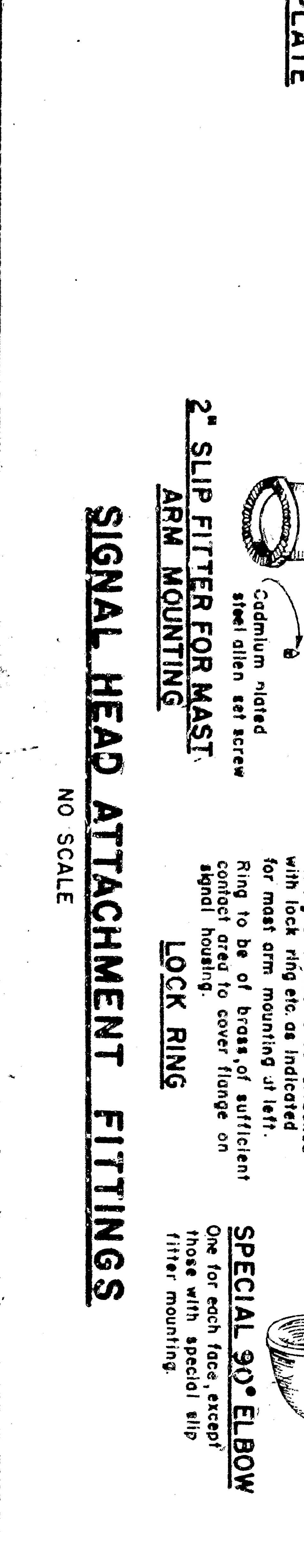
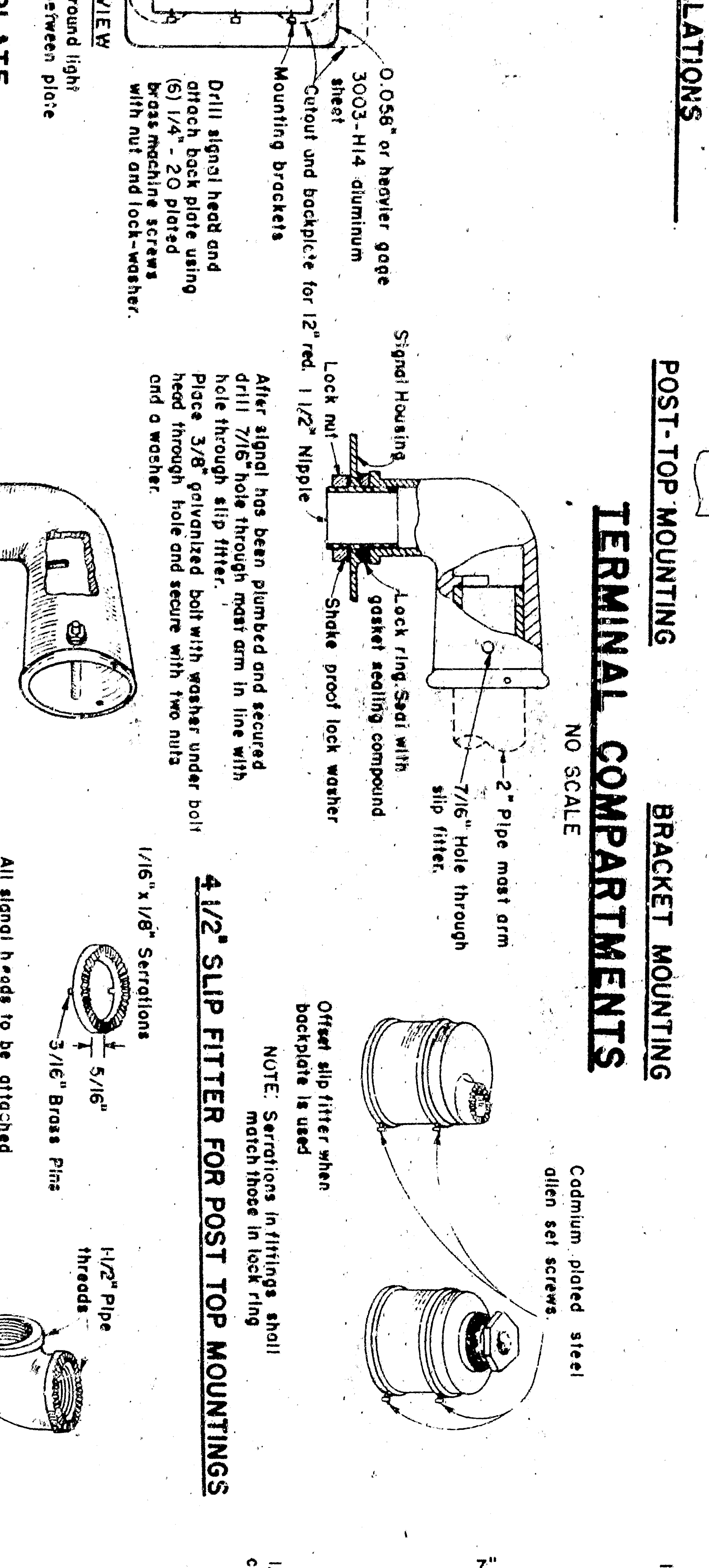
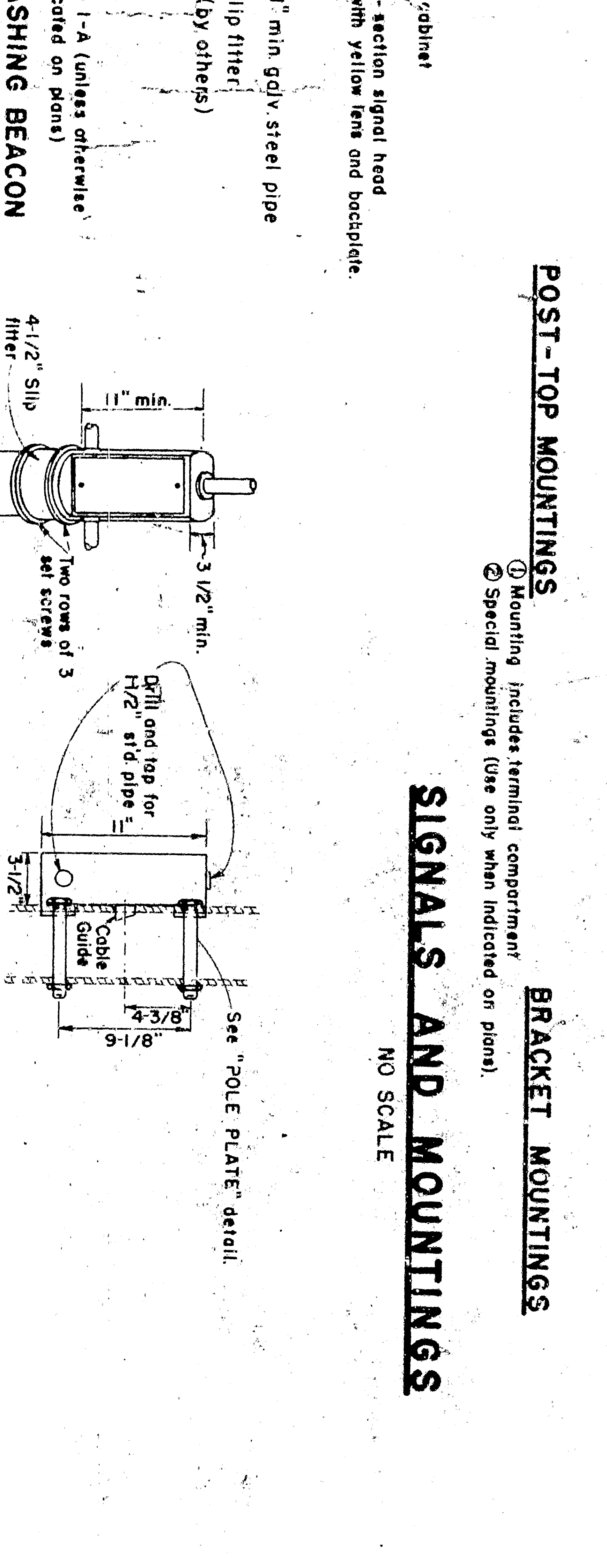


**SIGNAL HEAD ACCESSORIES**  
NO SCALE

NOTE: Louvers shall be secured in place with one plated brass machine screw and nut and oriented as directed by Engineer.



**STANDARD DETAILS NO. 2-B**  
TRAFFIC SIGNAL AND HIGHWAY LIGHTING INSTALLATIONS

STATE OF CALIFORNIA  
DEPARTMENT OF PUBLIC WORKS  
DIVISION OF HIGHWAYS

Not To Scale  
Revised 1/1-62  
DRAWING NO. E-